



Open Multi-Decks (Standard Height)
ORMC82L-M: L=Low Sill Height-M=Meat

Refrigeration Data

Refrigeration	Lineup Data	Individual Case Data (Includes 1 Pair of End Panels)			
	Per Foot Avg.	4'	6'	8'	12'
Evaporator Temperature (°F) ¹	22	22	22	22	22
Baseline Btu/h ²	1,423	6,252	9,210	12,056	17,748
Discharge Air Temperature (°F) (w/ 8°F Superheat) ³	30	30	30	30	30
Discharge Air Velocity (fpm) ⁴	260	260	260	260	260
Return Air Temperature	41	41	41	41	41

Electrical & Energy Data ⁵

Single Point Connection ^{6,7}	Individual Case Data (Includes 1 Pair of End Panels)			
	2-Door	3-Door	4-Door	5-Door
MOCP (amps) ⁸	15	15	15	15
MCA (amps) ⁹	1.8	2.6	3.3	4.7

Physical Data

Refrigeration Piping: R-407A, R-448A, R-449A ¹⁰	Outlet Size (in.)			
	4'	6'	8'	12'
Suction Line O.D. (Top Refrigeration Exit)	5/8	5/8	7/8	7/8
Liquid Line O.D.	3/8	3/8	3/8	3/8
Refrigeration Piping: CO ₂ ¹⁰	4'	6'	8'	12'
Suction Line O.D. (Top Refrigeration Exit)	1/2	1/2	1/2	1/2
Liquid Line O.D.	3/8	3/8	1/2	1/2
Evaporator Coil	4'	6'	8'	12'
Fin Spacing (per in.)	4	4	4	4
Tube Diameter (in.)	3/8	3/8	3/8	3/8
Case Calculations	Solid End Panel			
Weight (lbs.)	452	678	791	1,222

*Display cases can be equipped for a 90 bar certification upon request.

Operating Set Points

Off-Cycle Defrost	R-407A	R-448A/R-449A	CO ₂
Time Per Defrost (Minutes)	30	30	30
Drip Time (Minutes)	N/A	N/A	N/A
EPR Settings (psig)	44	51	420
Frequency (Per Day)	6	6	4

Notes:

- For high-glide refrigerants, use dew point for unit sizing. Adjust evaporator pressure as needed to maintain discharge air temperatures.
- Baseline Evaporator Btu/h based on parallel rack system, 1 row LED canopy lighting and 4 rows LED under shelf lighting (Zero Zone ChillBrite®), ECM or SSC electronic fan motors, 4 tiered rows of solid shelves, and low sill height.
- Discharge air temperature is measured at the outlet of the honeycomb.
- Discharge air velocity is average velocity at peak of defrost.
- A 3-prong round pin receptacle is provided for auxiliary ventilation fan kit.
- Electrical data based on 1 row LED canopy lighting and 4 rows LED under shelf lighting (Zero Zone ChillBrite®), ECM or SSC electronic fan motors, 4 tiered rows of solid shelves, low sill height, and auxiliary ventilation fan kits. Contact Zero Zone for data without ventilation fans.

- 115V 3-wire service; 115V-1PH-60HZ; black power, white neutral, green ground. Buck/boost transformer available for low voltage conditions.
- MOCP = Maximum over-current protection.
- MCA = Minimum current amps.
- Use 0.5 lb/ft evaporator refrigerant charge for receiver sizing.

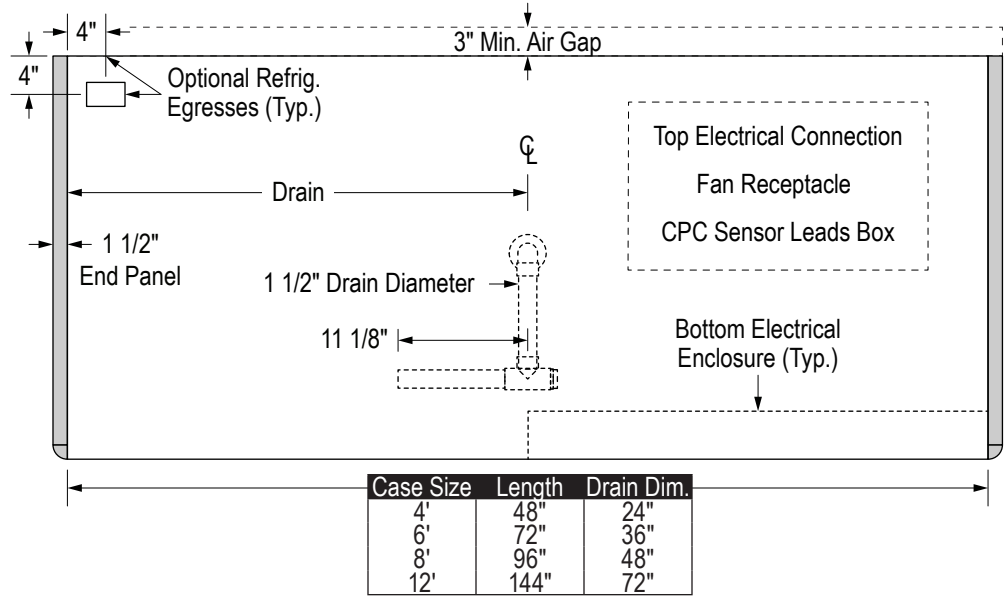
Case Performance Notes:

- Btu/h load increases by approximately 120 Btu/h per foot for aftermarket shelving/merchandising.
- Operating temperature and defrost set points may need to be adjusted for alternate shelving, store conditions, or packout.
- A minimum 20° evaporator is recommended without positive defrost.

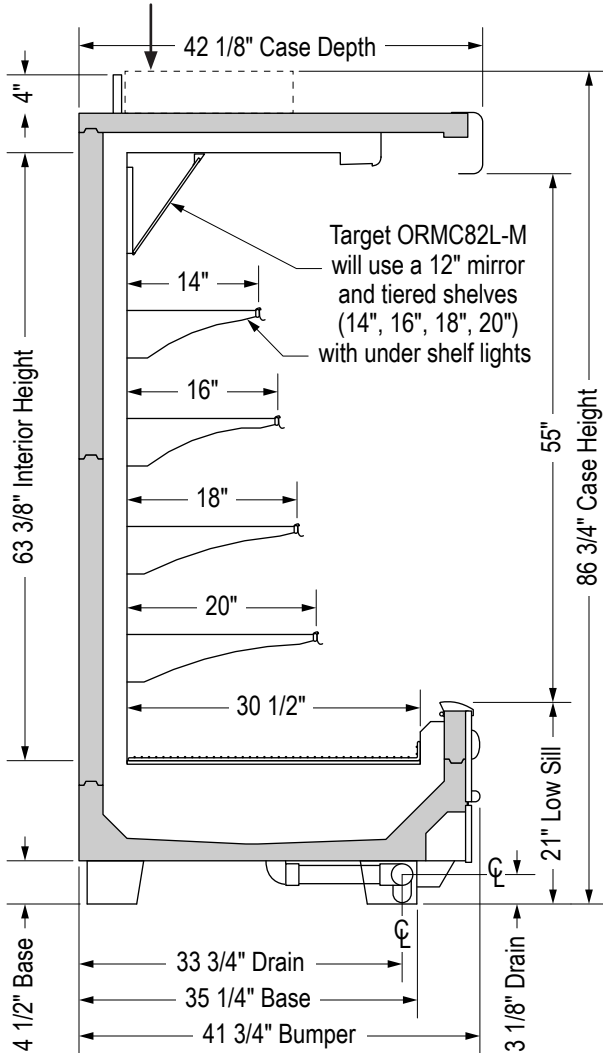


Target Reveal Merchandiser® ORMC82L-M Specs

Open Multi-Decks (Standard Height)
ORMC82L-M: L=Low Sill Height-M=Meat



Top electrical box(es) increase case height up to 4 3/8".



Physical Location of Components	
Electrical Exit	Top Right
Refrigeration Exit	Top Left
TXV	Evap Coil, Right Side
Discharge Air Sensor	Honeycomb, Center
Return Air Sensor	Air Duct, Center

Replacement Parts	Zero Zone Part Numbers
14" Shelf and Bracket	TBD
16" Shelf and Bracket	TBD
18" Shelf and Bracket	TBD
20" Shelf and Bracket	TBD
Price Tag Molding (PTM)	TBD
Evap Fan Motor	TBD
Evap Fan Motor Blade	TBD
Evap Fan Motor Bracket	TBD
LED Light Stick	TBD
LED Light Driver	TBD
Honeycomb	TBD

CSS-181-D

Specifications are subject to change without notice. All dimensions are nominal. Case designed to operate in an ambient temperature of 75°F and relative humidity of 55% or lower. Reveal Merchandiser® is a registered trademark of Zero Zone, Inc. in the United States.

12/15/2023



Zero Zone, Inc.
800-247-4496 • www.zero-zone.com
© 2023 Zero Zone, Inc.

