



Highlight Merchandiser® RHMC30T Remote Specs

Medium Temp Tall Reach-In Remote Display Cases

1-Door through 5-Door Cases, Back-to-Back (BB) Cases

Applications



Beverage



Dairy



Deli



Produce



Meat

Quick Specs

Energy (Btu/h per Door)*

Standard: 475 at 28°F Evaporator

*when used with parallel rack system

Merchandising (Per Door)

Facings: 73.5 ft²

Packout: 147 ft³ with 30 x 24" deep shelves

Features & Options

Go Green

Remote cases ready for CO₂. 90-bar rating available.

High Humidity

Control climate challenges with advanced humidity package

CoolView® Doors

30" wide x 73" tall CoolView® Envision® Doors

LED Lighting

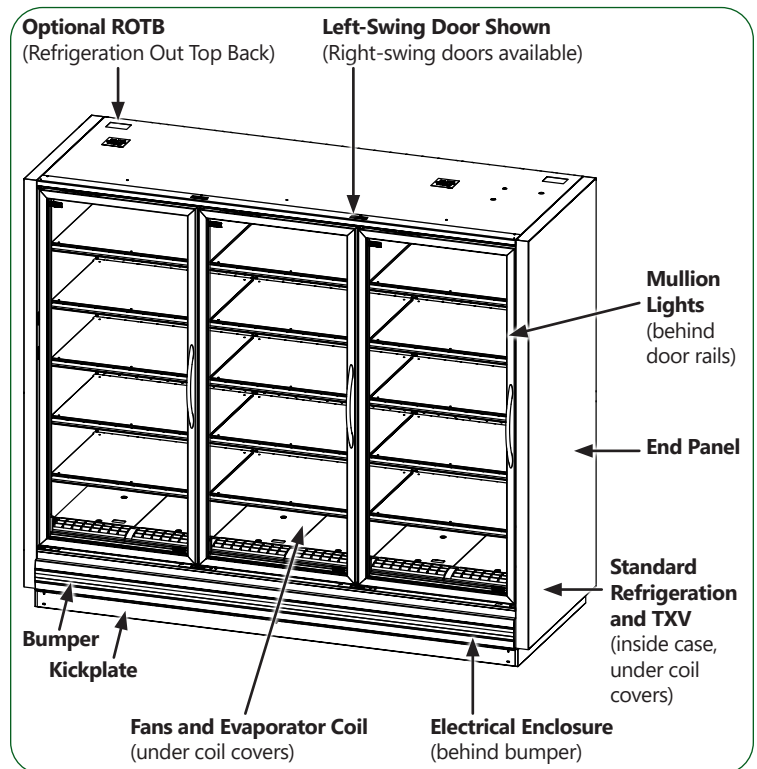
ChillBrite® 3500K or 4000K LED Lighting

Additional Models

The Highlight® medium temp lineup offers a standard, tall and back-to-back case.

Hybrid™ Display Case

Available as Hybrid™ cases. See separate spec sheet.



Manuals and Instructions:
<https://www.zero-zone.com/rhmc-rhlc>



Contact Us:

800-247-4496

www.zero-zone.com

Specifications are subject to change without notice. All dimensions are nominal.
 Case designed to operate in an ambient temperature of 75°F and relative humidity of 55% or lower.



SS-128 REV F • 4/22/2026

© 2026 Zero Zone, Inc.

Page 1 of 6





Refrigeration Data



Set Points	°F
Evaporator Temperature ¹	28
Discharge Air Temperature (w/ 8°F Superheat)	33

Notes:

- For high-glide refrigerants, use dew point for unit sizing. Adjust evaporator pressure as needed to maintain discharge air temperatures.



Energy Use with Parallel Rack System ²	Lineup Data	Individual Case Data (includes 1 pair of end panels)			
	Per Door Avg	2-Door	3-Door	4-Door	5-Door
RHMC30T Baseline Btu/h	475	1,050	1,525	2,000	2,475
RHMC30TBB Baseline Btu/h (Each Side)	430	---	1,405	1,840	2,275
Energy Use with Condensing Unit ²	Per Door Avg	2-Door	3-Door	4-Door	5-Door
RHMC30T Baseline Btu/h	515	1,135	1,650	2,160	2,675
RHMC30TBB Baseline Btu/h (Each Side)	475	---	1,515	1,990	2,455
Btu/h Adders	Per Door Avg	2-Door	3-Door	4-Door	5-Door
Anti-Sweat High-Humidity Package	130	260	390	520	650
Btu/h Adders	Per Case Avg				
Glass Windowed End Panel (Each) ³	175				

Notes:

- Baseline Evaporator Btu/h based on LED lighting (Zero Zone ChillBrite 4000K), standard-energy doors (Zero Zone CoolView® Envision®), and ECM or SSC electronic fan motors.
- Glass windowed end panels only available with 2 1/2" end panels.

Glycol Data ⁴	2-Door	3-Door	4-Door	5-Door
Flow Rate (GPM)	0.8	1.2	1.6	2.0
Pressure Drop (PSIG)	5.6	4.9	3.1	2.7

Notes:

- All glycol data based on 35% Polyethylene Glycol by weight, 20°F Supply Temperature, and 24°-26°F Outlet Temperature.



Refrigeration Piping: R-404A & R-448A ⁴	Outlet Size (in.)			
	2-Door	3-Door	4-Door	5-Door
Suction Line O.D. (Standard Refrigeration Exit)	1/2	1/2	1/2	1/2
Suction Line O.D. (Top Refrigeration Exit)	3/8	3/8	1/2	1/2
Liquid Line O.D.	1/4	1/4	3/8	3/8
Refrigeration Piping: CO ₂ ⁵	1-Door	2-Door	3-Door	4-Door
Suction Line O.D. (Standard Refrigeration Exit)	3/8	3/8	3/8	3/8
Suction Line O.D. (Top Refrigeration Exit)	3/8	3/8	3/8	3/8
Liquid Line O.D.	1/4	1/4	1/4	1/4

Notes:

- Read the Installation & Operation Manual for more about refrigeration piping to properly size individual risers for circuits of more than one case.



Electrical & Energy Data ⁶



	Per Door Avg		2-Door		3-Door		4-Door		5-Door	
Number of Fans			2		3		4		5	
Fan Motors (115V)	Amps	Watts	Amps	Watts	Amps	Watts	Amps	Watts	Amps	Watts
High-Efficiency Electronic (ECM or SSC)	0.70	12	1.40	24	2.10	36	2.80	48	3.50	60
Lighting System (120V)	Amps	Watts	Amps	Watts	Amps	Watts	Amps	Watts	Amps	Watts
LED Lighting	0.16	19	0.32	38	0.48	58	0.64	77	0.79	96
Anti-Sweat Heat (115V) ^{7,8}	Amps	Watts	Amps	Watts	Amps	Watts	Amps	Watts	Amps	Watts
Standard-Energy Doors (CoolView® Envision)	0.17	20	0.35	40	0.52	60	0.70	80	0.87	100
High-Humidity Package (CoolView® Envision)	0.61	70	1.22	140	1.83	210	2.43	280	3.04	350
Solid Doors (CoolView® Envision)	0.17	20	0.35	40	0.52	60	0.70	80	0.87	100

Notes:

- 6. Amps are based on electrical nameplate values. Watts are based on laboratory observations of actual energy use.
- 7. Standard doors include mullion heat.
- 8. High-humidity package includes 10% increase in glass heat and mullion heat.

Physical Data



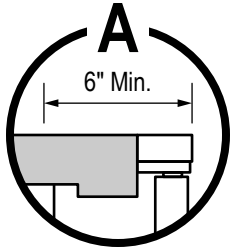
Merchandising	2-Door	3-Door	4-Door	5-Door
Facings (ft. ²)	29.4	44.1	58.8	73.5
Packout (ft. ³) 22" Shelves	54.7	82.1	109.3	136.7
Packout (ft. ³) 24" Shelves	58.8	88.2	117.5	147.0
Shipping Weight without End Panels	2-Door	3-Door	4-Door	5-Door
RHMC30 Weight (lbs.)	755	1,055	1,420	1,800
RHMC30BB Weight (lbs.)	---	2,105	2,840	3,595
Shipping Weight with Solid End Panels ⁹	2-Door	3-Door	4-Door	5-Door
RHMC30 Weight (lbs.)	815	1,115	1,480	1,860
RHMC30BB Weight (lbs.)	---	2,225	2,960	3,715
Shipping Weight with Windowed End ⁹	2-Door	3-Door	4-Door	5-Door
RHMC30 Weight (lbs.)	865	1,165	1,530	1,910
RHMC30BB Weight (lbs.)	---	2,325	3,060	3,815

Notes:

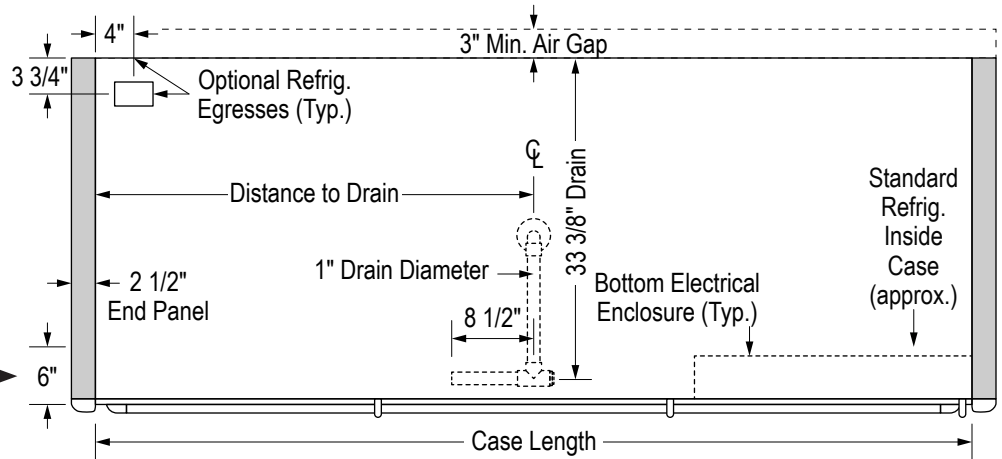
- 9. Each solid end panel: 30 lbs for RHLC30T or 60 lbs for RHLC30TBB. Each windowed end panel: 55 lbs. for RHLC30T or 110 lbs for RHLC30TBB.



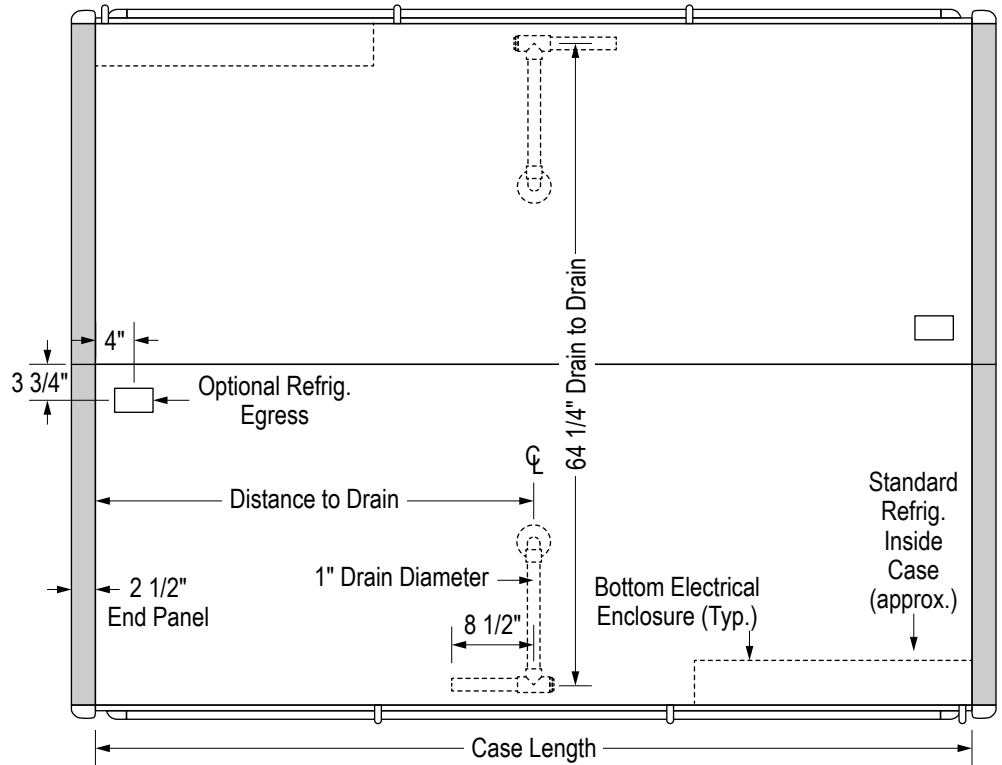
RHMC30T Top View



Building soffits must be set back at least 6" from the front of the doors to allow access to electrical wiring on the top of the case.



RHMC30TBB Back-to-Back Top View



Case Dimensions



Measurements	1-Door	2-Door	3-Door	4-Door	5-Door
Case Length (in.) without End Panels	30 1/2	60 7/8	91 3/8	121 3/4	152 1/4
Case Length (in.) with End Panels ¹¹	35 1/2	65 7/8	96 3/8	126 3/4	157 1/4
Distance to Drain (in.)	15 1/4	30 1/2	45 5/8	60 7/8	76 1/8

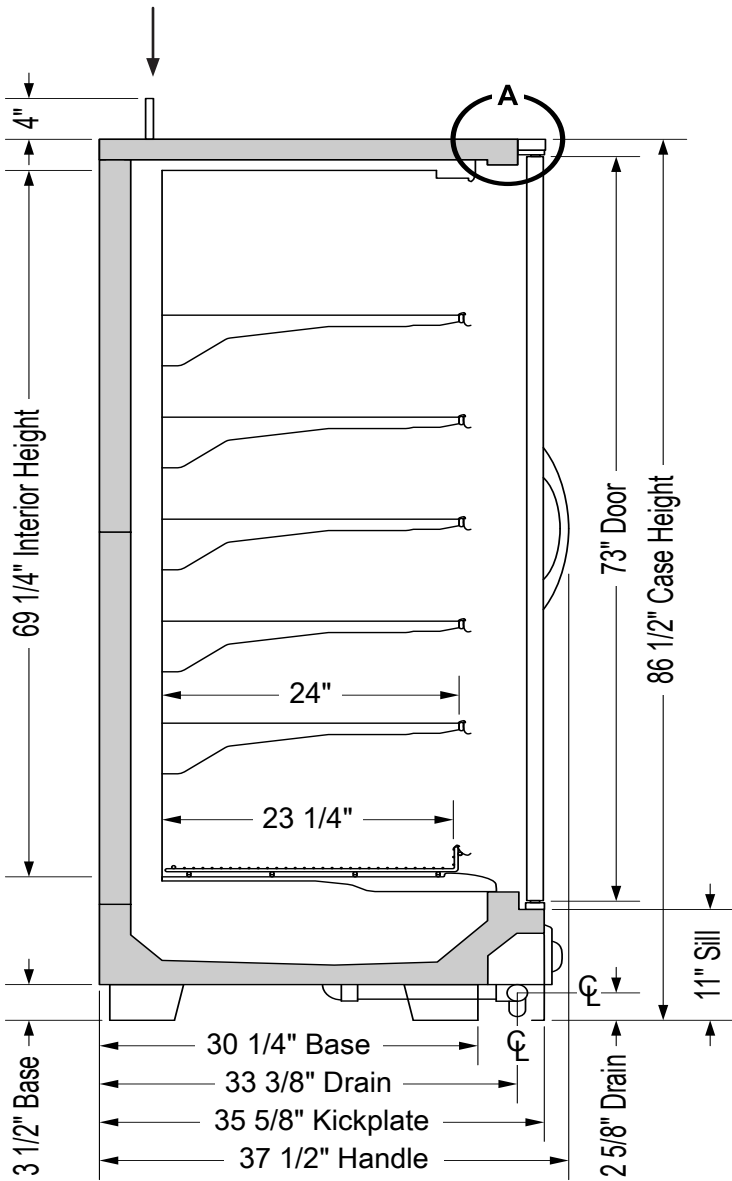
Notes:

11. Each end panel is 2 1/2" thick.

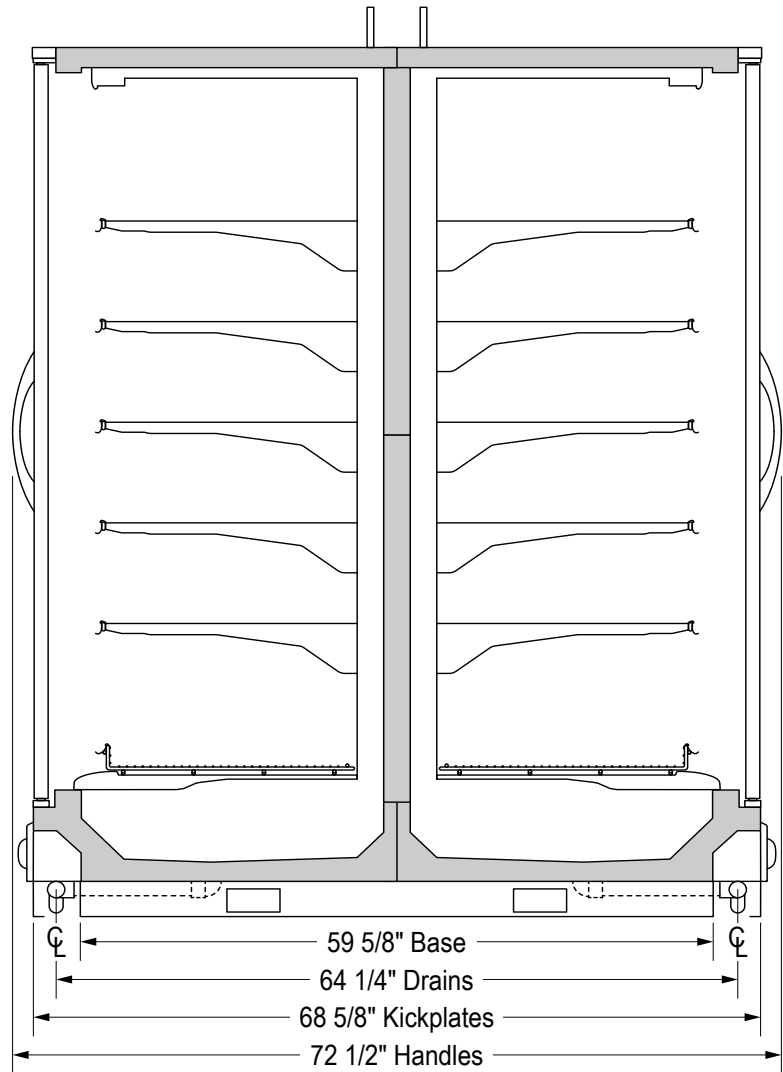


RHMC30T End View

Optional Top Refrig.
Connection



RHMC30TBB Back-to-Back End View



Shelf Notes:

- 22" or 24" deep shelves.
- 2-position (0°,10°) or 4-position (0°,5°,10°,15°) shelves
- Available with 6" tall bottom baskets instead of bottom wire racks.

Base Notes:

- Base height options available: 1 3/4", 3 1/2", or 6 1/2".
- Changing bases affects case height and shipping height.
- Drain height from the floor: 2 5/8" with 3 1/2" base.
- Use 1 3/4" tall bases to fit through 80" doorways (shipping height = 79 5/8"). These bases must use hat channel rails.



R-454C RHMC30T End View

Case Notes:

- Each A2L case includes a 4 1/2" kickplate (5 1/2" for single-door cases), refrigeration outlet located at the top right, and the electronic egress for case power and sensors exit through the top.
- The leak detector is located internally to the display case.
- The mitigation fans for single door cases are centered on the front kickplate.
- The mitigation fans are located on the end kickplates on 2- through 5-door cases.
- Features not available in A2L: Back-to-Back, Hybrid, High Humidity, Ref. to bottom, Elec. to bottom, Light dimming, Condensate Pump or Evaporator Pan.

