



Highlight Merchandiser® RHLC30IM Remote Specs

Low Temp Reach-In Remote Display Cases

1-Door, 2-Door, and 3-Door Cases

Applications



Ice

Quick Specs

Energy (Btu/h per Door)*

Ice: 915 at 0°F Evaporator

*when used with parallel rack system

Merchandising (3-Door)

Facings: 40.9 ft²

Packout: 81.9 ft³ with 30" x 24" deep shelves

Packout Limit: 2,460 lbs. with 24" shelves

Features & Options

Go Green

Remote cases ready for CO₂. 90-bar rating available.

High Humidity

Control climate challenges with our advanced humidity package

CoolView® Doors

30" wide x 68" tall CoolView® Envision® Doors

LED Lighting

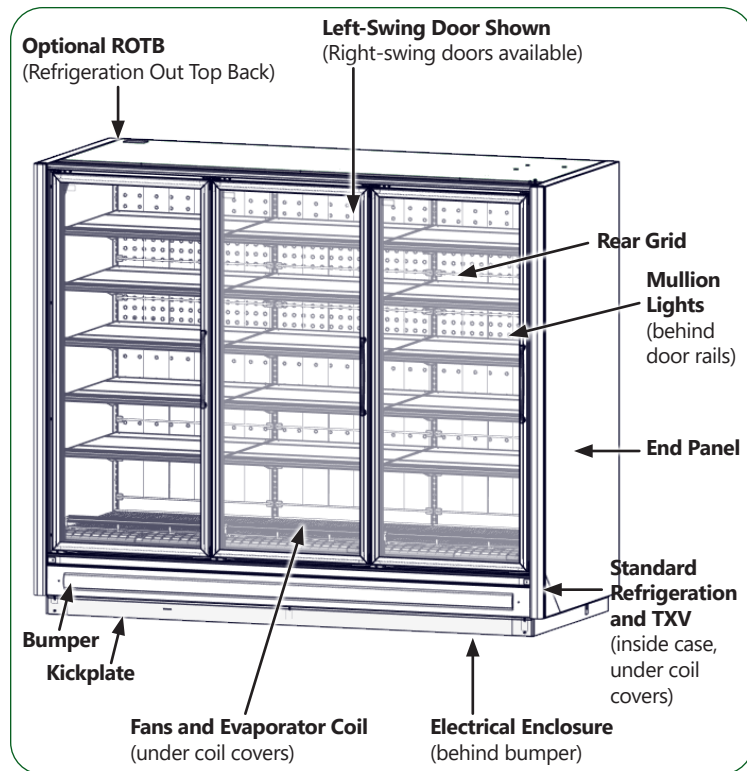
ChillBrite® 4000K LED Lighting

Additional Models

The Highlight® low temp lineup offers a standard, tall, back-to-back, and ice merchandiser.

Hybrid™ Display Case

Available as Hybrid™ cases. See separate spec sheet.



Manuals and Instructions:

<https://www.zero-zone.com/rhmc-rhlc>



Contact Us:

800-247-4496

www.zero-zone.com

Specifications are subject to change without notice. All dimensions are nominal.
Case designed to operate in an ambient temperature of 75°F and relative humidity of 55% or lower.



SS-122 REV G • 5/1/2026

© 2026 Zero Zone, Inc.

Page 1 of 6





Refrigeration Data



Set Points	°F
Evaporator Temperature ¹	0
Discharge Air Temperature (w/ 8°F Superheat)	4

Notes:

- For high-glide refrigerants, use dew point for unit sizing. Adjust evaporator pressure as needed to maintain discharge air temperatures.



Energy Use with Parallel Rack System ²	Individual Case Data (includes 1 pair of end panels)		
	1-Door	2-Door	3-Door
RHLC30IM Baseline Btu/h	915	1,740	2,625
Energy Use with Condensing Unit ²	1-Door	2-Door	3-Door
RHLC30IM Baseline Btu/h	970	1,845	2,780
Btu/h Adders	1-Door	2-Door	3-Door
Anti-Sweat High-Humidity Package	+100	+200	+300

Notes:

- Baseline Evaporator Btu/h based on LED lighting (Zero Zone ChillBrite® 4000K), standard-energy doors (Zero Zone CoolView® Envision®), and ECM or SSC electronic fan motors.



Refrigeration Piping: R-404A & R-448A ³	Outlet Size (in.)		
	1-Door	2-Door	3-Door
Suction Line O.D. (Top Refrigeration Exit)	1/2	1/2	5/8
Liquid Line O.D. (Electric Defrost)	1/4	3/8	3/8
Refrigeration Piping: CO ₂ ³	1-Door	2-Door	3-Door
Suction Line O.D. (Top Refrigeration Exit)	3/8	1/2	1/2
Liquid Line O.D. (Electric Defrost)	1/4	3/8	3/8

Notes:

- Read the Installation & Operation Manual for more about refrigeration piping to properly size individual risers for circuits of more than one case.



Electrical & Energy Data ⁴



	1-Door		2-Door		3-Door	
Number of Fans	1		2		3	
Fan Motors (115V)	Amps	Watts	Amps	Watts	Amps	Watts
High-Efficiency Electronic (ECM or SSC)	0.70	20	1.40	38	2.10	59
Lighting System (120V)	Amps	Watts	Amps	Watts	Amps	Watts
LED Lighting	0.15	18	0.29	35	0.44	53
Anti-Sweat Heat (115V) ⁵	Amps	Watts	Amps	Watts	Amps	Watts
Standard-Energy Doors (CoolView® Envision)	0.72	83	1.43	164	2.13	245
High-Humidity Package (CoolView® Envision) ⁶	1.06	122	2.15	247	3.20	368
Solid Doors (CoolView® Envision)	0.50	58	1.01	116	1.50	173
Defrost Heaters ^{7, 8}	Amps	Watts	Amps	Watts	Amps	Watts
Single Phase (120V/1/60Hz or 208V/1/60Hz)	9.10	1,047	8.00	1,680	12.00	2,496
Three Phase (208V/3/60Hz)	---	---	4.66	1,680	6.93	2,496

Notes:

- Amps are based on electrical nameplate values. Watts are based on laboratory observations of actual energy use.
- Standard doors include glass heat, rail heat, sill heat, mullion heat, and a deep coil.
- High-humidity package includes 10% increase in glass heat, rail heat, and mullion heat. This package also includes an anti-sweat controller if in the United States or Territories.
- Electric Defrost: 1 per day. Defrost termination temperature setting is 50°F. Failsafe time is 55 minutes. Refer to the Installation & Operation Manual for details.
- Hot Gas Defrost: 1 per day. Defrost termination temperature setting is 65°F. Failsafe time is 30 minutes. Refer to the Installation & Operation Manual for details. Zero Zone recommends 1 riser per refrigeration circuit when utilizing hot gas defrost.

Physical Data



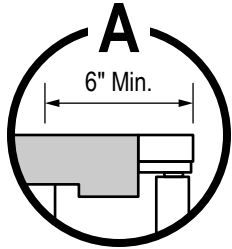
Merchandising	1-Door	2-Door	3-Door
Facings (ft. ²)	13.6	27.3	40.9
Packout (ft. ³) 24" Shelves	27.3	54.5	81.9
Packout Limit (lbs.) 24" Shelves	820	1,640	2,460
Shipping Weight without End Panels	1-Door	2-Door	3-Door
RHLC30IM Weight (lbs.)	532	783	1,033
Shipping Weight with Solid End Panels ⁹	1-Door	2-Door	3-Door
RHLC30IM Weight (lbs.)	592	843	1,093

Notes:

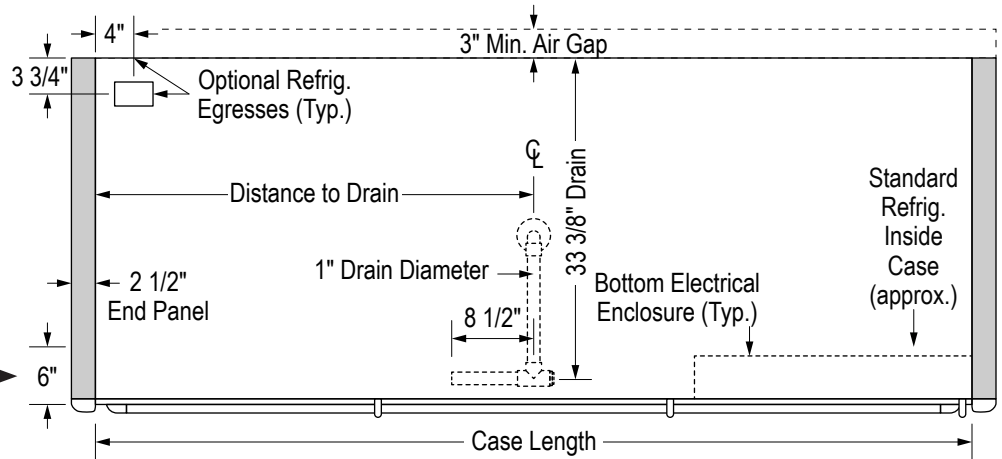
- Each solid end panel: 30 lbs.



RHLC30IM Top View



Building soffits must be set back at least 6" from the front of the doors to allow access to electrical wiring on the top of the case.



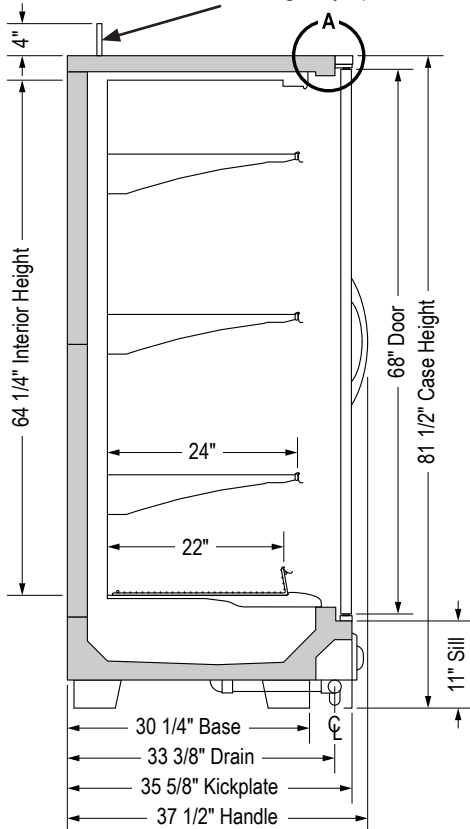
Case Dimensions



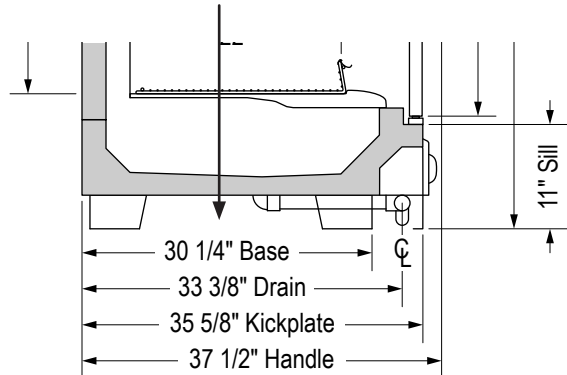
Measurements	1-Door	2-Door	3-Door
Case Length (in.) without End Panels	30 1/2	60 7/8	91 3/8
Case Length (in.) with End Panels	35 1/2	65 7/8	96 3/8
Distance to Drain (in.)	15 1/4	30 1/2	45 5/8

RHLC30IM End View

Optional top refrigeration connection increases case height by up to 4".



- Coil cover support posts, protective rear wall grid, and heavy duty bottom wire rack per door are included.
- 1-Door bases run front to back.



Base information:

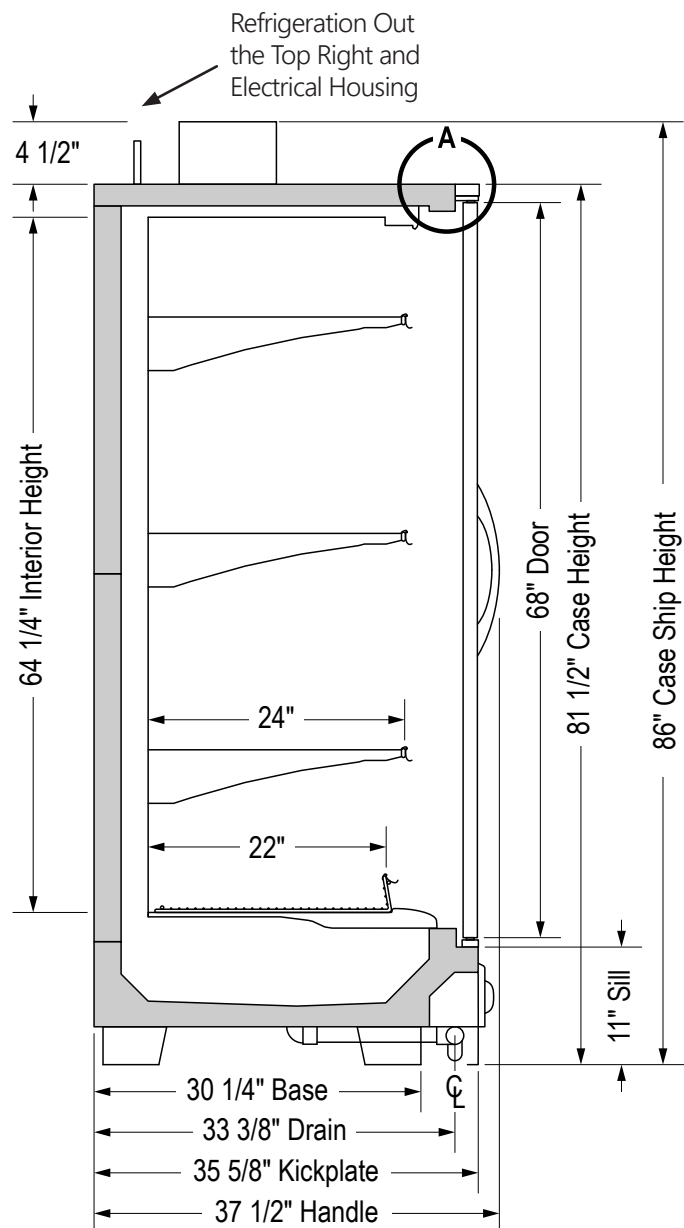
- Base height: 3 1/2"
- Drain height from the floor: 2 5/8"



R-454C RHLC30IM End View

Case Notes:

- Each A2L case includes a 4 1/2" kickplate (5 1/2" for single-door cases), refrigeration outlet located at the top right, and the electronic egress for case power and sensors exit through the top.
- The leak detector is located internally to the display case.
- The mitigation fans for single door cases are centered on the front kickplate.
- The mitigation fans are located on the end kickplates on 2- through 5-door cases.
- Features not available in A2L: 3-Door, Back-to-Back, Hybrid, High Humidity, Ref. to bottom, Elec. to bottom, Light dimming, Condensate Pump or Evaporator Pan.





R-454C RHLC30IM Low Entry Alternate End View

Case Notes:

- 2 3/4" Hat channels will ship loose with the display case for 2- through 5-door
- The leak detector is located internally to the display case.
- The mitigation fans for single door cases are centered on the front kickplate.
- The mitigation fans are located on the end kickplates on 2- through 5-door cases.
- 1-door will ship with 5 1/2" base heights.
- Features not available in A2L: 3-Door, Back-to-Back, Hybrid, High Humidity, Ref. to bottom, Elec. to bottom, Light dimming, Condensate Pump or Evaporator Pan.

