



## Reveal Merchandiser® ORMC(83/88)D Remote Specs

### Medium Temp Doored Multi-Deck Remote Display Cases

4' (2-Door), 6' (3-Door), 8' (4-Door), and 12' (6-Door) Cases;  
Beverage (B), Dairy or Deli (D), and Produce (P)

### Quick Specs

**Energy (Btu/h per Foot)\***  
**ORMC83D:** 230 at 28°F Evaporator  
**ORMC88D:** 240 at 28°F Evaporator  
 \*when used with parallel rack system

### Merchandising (per Foot)

	Facings	Packout*
<b>ORMC83D</b>	5.2 ft <sup>2</sup>	11 ft <sup>3</sup>
<b>ORMC88D</b>	5.7 ft <sup>2</sup>	11.8 ft <sup>3</sup>

\*with 27" Shelves

### Applications



Beverage



Dairy



Deli



Produce

### Features & Options

#### Go Green

Remote cases ready for CO<sub>2</sub>. 90-bar rating available.

#### LED Lighting

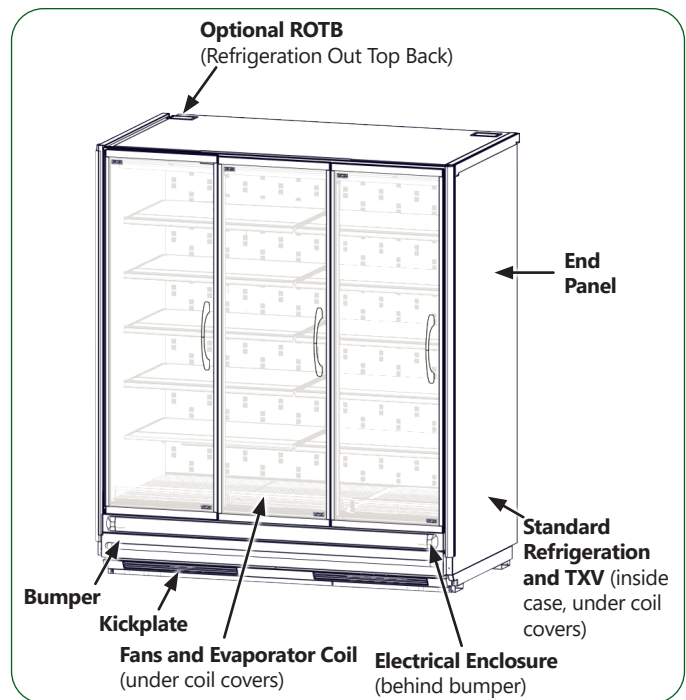
ChillBrite® 4000K LED mullion lighting

#### Additional Models

See our spec sheets for the open Reveal™ cases on our website.

#### Hybrid™ Display Case

Available as Hybrid™ cases. See separate spec sheet.



Manuals and Instructions:  
<https://www.zero-zone.com/ormc>



#### Contact Us:

800-247-4496  
[www.zero-zone.com](http://www.zero-zone.com)

Specifications are subject to change without notice. All dimensions are nominal.  
 Case designed to operate in an ambient temperature of 75°F and relative humidity of 55% or lower.





## Refrigeration Data



Set Points	Per Foot Avg
Evaporator Temperature (°F) <sup>1,2</sup>	28
Discharge Air Temperature (°F) (w/ 8°F Superheat) <sup>3</sup>	34

Notes:

- For high-glide refrigerants, use dew point for unit sizing. Adjust evaporator pressure as needed to maintain discharge air temperatures.



Energy Use with Parallel Rack System <sup>3</sup>	Lineup Data	Individual Case Data <sup>2</sup>			
	Per Foot Avg	4' (2-Door)	6' (3-Door)	8' (4-Door)	12' (6-Door)
ORMC83D Baseline Btu/h	230	1,010	1,470	1,930	2,845
ORMC88D Baseline Btu/h	240	1,045	1,520	2,000	2,950
Energy Use with Condensing Unit <sup>3</sup>	Per Foot Avg	4' (2-Door)	6' (3-Door)	8' (4-Door)	12' (6-Door)
ORMC83D Baseline Btu/h	240	1,050	1,530	2,010	2,960
ORMC88D Baseline Btu/h	250	1,085	1,580	2,080	3,070

Notes:

- Individual case data includes 1 pair of end panels.
- Baseline evaporator Btu/h based on parallel rack system, LED lighting (Zero Zone ChillBrite 4000K), no-energy French-swing doors (Zero Zone CoolView® Ultra™), and ECM or SSC electronic fan motors.

Glycol Data <sup>4</sup>	Individual Case Data <sup>2</sup>			
	4' (2-Door)	6' (3-Door)	8' (4-Door)	12' (6-Door)
Flow Rate (GPM)	0.7	1.1	1.5	2.4
Pressure Drop (PSIG)	2.0	3.8	6.3	3.7

Notes:

- Read the Installation & Operation Manual for more about refrigeration piping to properly size individual risers for circuits of more than one case.



Refrigeration Piping: R-404A & R-448A <sup>5</sup>	Outlet Size (in.)			
	4' (2-Door)	6' (3-Door)	8' (4-Door)	12' (6-Door)
Suction Line O.D. (Top Refrigeration Exit)	3/8	3/8	3/8	1/2
Liquid Line O.D. (Off Cycle Defrost)	1/4	1/4	1/4	3/8
Refrigeration Piping: CO <sub>2</sub> <sup>5</sup>	4' (2-Door)	6' (3-Door)	8' (4-Door)	12' (6-Door)
Suction Line O.D. (Top Refrigeration Exit)	3/8	3/8	3/8	3/8
Liquid Line O.D. (Off Cycle Defrost)	1/4	1/4	1/4	1/4

Notes:

- Read the Installation & Operation Manual for more about refrigeration piping to properly size individual risers for circuits of more than one case.



Electrical & Energy Data <sup>6</sup>



ORMC83D	Per Door Avg		2-Door		3-Door		4-Door		6-Door	
Number of Fans			2		3		4		5	
<b>Fan Motors ORMC83D (115V)</b>	<b>Amps</b>	<b>Watts</b>	<b>Amps</b>	<b>Watts</b>	<b>Amps</b>	<b>Watts</b>	<b>Amps</b>	<b>Watts</b>	<b>Amps</b>	<b>Watts</b>
High-Efficiency Electronic (ECM or SSC)	0.20	5	0.84	17	1.26	26	1.68	41	2.10	52
<b>Lighting System ORMC83D (120V)</b>	<b>Amps</b>	<b>Watts</b>	<b>Amps</b>	<b>Watts</b>	<b>Amps</b>	<b>Watts</b>	<b>Amps</b>	<b>Watts</b>	<b>Amps</b>	<b>Watts</b>
LED Lighting	0.09	11	0.36	42	0.48	56	0.72	84	1.08	126

ORMC88D	Per Door Avg		2-Door		3-Door		4-Door		6-Door	
Number of Fans			2		2		3		4	
<b>Fan Motors ORMC88D (115V)</b>	<b>Amps</b>	<b>Watts</b>	<b>Amps</b>	<b>Watts</b>	<b>Amps</b>	<b>Watts</b>	<b>Amps</b>	<b>Watts</b>	<b>Amps</b>	<b>Watts</b>
High-Efficiency Electronic (ECM or SSC)	0.16	5	0.84	19	0.84	29	1.26	45	1.68	57
<b>Lighting System ORMC88D (120V)</b>	<b>Amps</b>	<b>Watts</b>	<b>Amps</b>	<b>Watts</b>	<b>Amps</b>	<b>Watts</b>	<b>Amps</b>	<b>Watts</b>	<b>Amps</b>	<b>Watts</b>
LED Lighting	0.10	11	0.39	45	0.57	66	0.77	90	1.14	131

Anti-Sweat Heat ORMC(83/88)D (115V) <sup>7</sup>	Amps	Watts	Amps	Watts	Amps	Watts	Amps	Watts	Amps	Watts
No-Energy Doors (CoolView® Ultra®)	0.00	0	0.00	0	0.00	0	0.00	0	0.00	0
Honeycomb Holder Heater	0.03	3	0.13	15	0.17	20	0.26	30	0.35	40

Notes:

- 6. Amps are based on electrical nameplate values. Watts are based on laboratory observations of actual energy use.
- 7. High-humidity package includes glass heat, rail heat, and mullion heat.

Physical Data



Merchandising ORMC83D	4' (2-Door)	6' (3-Door),	8' (4-Door)	12' (6-Door)
ORMC83D Facings (ft. <sup>2</sup> ) with Medium Sill	21.1	31.7	42.3	63.4
ORMC83D Packout (ft. <sup>2</sup> ) with 24" shelves	44.0	66.0	88.0	132.1
ORMC83D Packout (ft. <sup>2</sup> ) with 27"shelves	46.8	70.2	93.6	140.4

Merchandising ORMC88D	4' (2-Door)	6' (3-Door),	8' (4-Door)	12' (6-Door)
ORMC88D Facings (ft. <sup>2</sup> )	22.8	34.2	45.6	68.4
ORMC88D Packout (ft. <sup>3</sup> ) with 24" shelves	47.4	71.0	94.7	142.1
ORMC88D Packout (ft. <sup>3</sup> ) with 27"shelves	50.6	75.9	101.2	151.8

Shipping Weight without End Panels	4' (2-Door)	6' (3-Door)	8' (4-Door)	12' (6-Door)
ORMC83D Weight (lbs.)	775	933	1,020	1,254
ORMC88D Weight (lbs.)	790	1,020	1,170	1,470
Shipping Weight with Solid End Panels <sup>9</sup>	4' (2-Door)	6' (3-Door)	8' (4-Door)	12' (6-Door)
ORMC83D Weight (lbs.)	835	993	1,080	1,314
ORMC88D Weight (lbs.)	850	1,080	1,230	1,530
Shipping Weight with Windowed End <sup>9</sup>	4' (2-Door)	6' (3-Door)	8' (4-Door)	12' (6-Door)
ORMC83D Weight (lbs.)	885	1,043	1,130	1,364
ORMC88D Weight (lbs.)	900	1,130	1,280	1,580

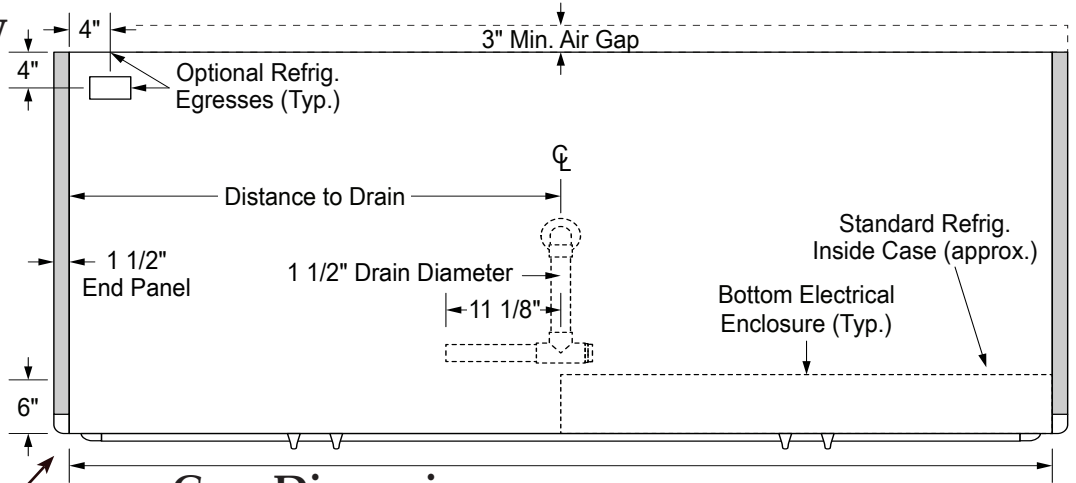
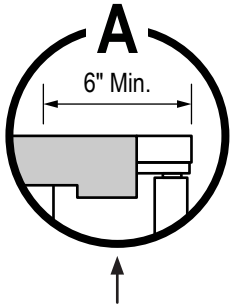
Notes:

- 9. Each solid end panel: 30 lbs. Each windowed end: 55 lbs.



# Reveal Merchandiser® ORMC(83/88)D Specs

## ORMC83D Top View



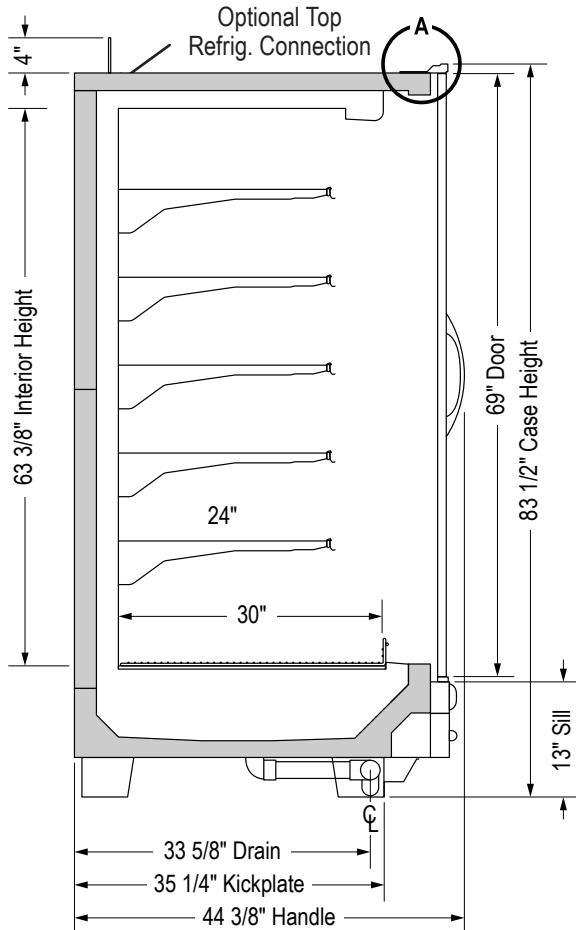
Building soffits must be set back at least 6" from the front of the doors to allow access to electrical wiring on the top of the case.



## Case Dimensions

Measurements	4' (2-Door)	6' (3-Door)	8' (4-Door)	12' (6-Door)
Case Length (in.) without End Panels	48	72	96	144
Case Length (in.) with End Panels	53	77	101	149
Distance to Drain (in.)	24	36	48	72

## ORMC83D End View

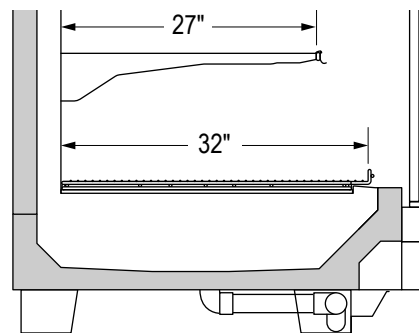


### Shelf Notes:

- Shelves available in 22", 24", and 27" depths.
- 32" bottom wire rack available. Recommended for Beverage application.

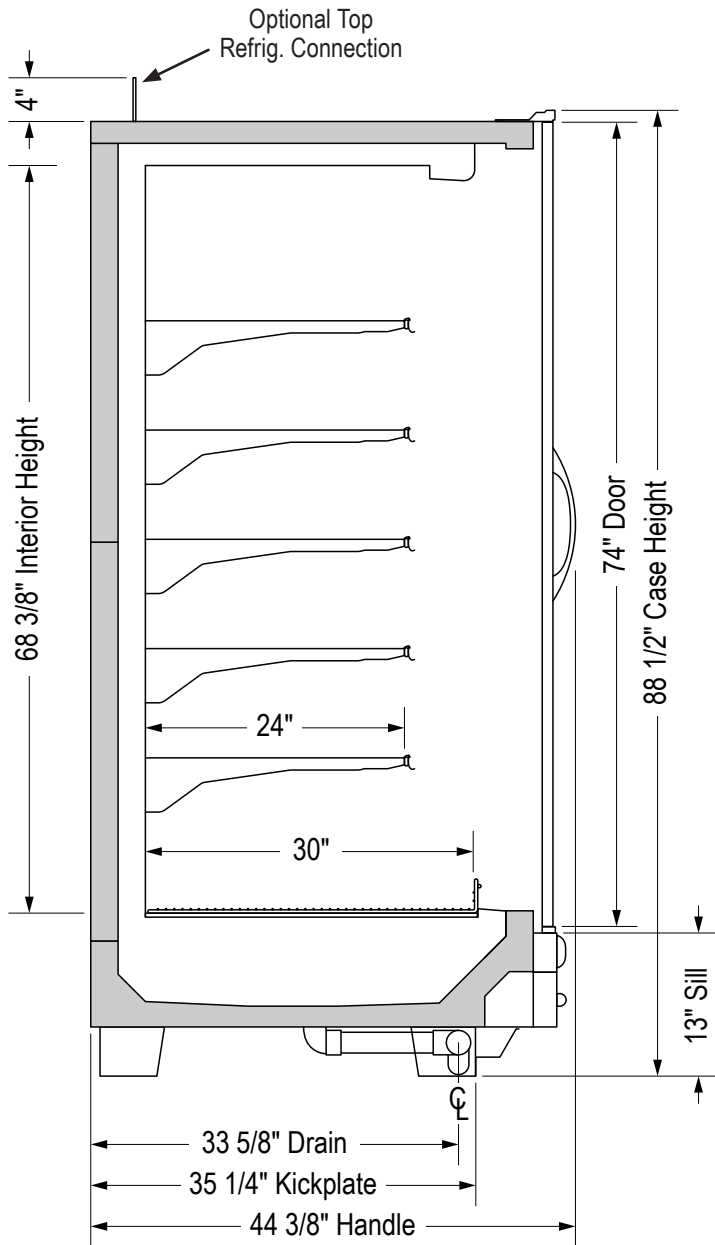
### Base Notes:

- Base heights available:
- Drain height from floor: 3 1/8" with 4 1/2" base





### ORMC88D End View



Shelf Notes:

- Shelves available in 22", 24", and 27" depths.
- 32" bottom wire rack available.  
Recommended for Beverage application.

