



Crystal™ Merchandiser RVLC30 Hybrid™ Specs

Low Temp Hybrid Reach-Ins with 30" x 74" Doors

Note: All Zero Zone display cases manufactured for shipment within the U.S. meet or exceed current DOE energy requirements.

PHYSICAL DATA

	2RVLC30	3RVLC30	4RVLC30	5RVLC30
Facings (ft. ²)	28.4	42.3	56.3	70.2
Packout (ft. ³) 22" Shelves	51.5	76.7	101.9	127.1
Packout (ft. ³) 24" Shelves	55.1	82.1	109.2	136.1
Weight (lbs.)*	755	1,055	1,420	1,800

* Does not include weight of condensing unit. Weights include 2 end panels at 35 lbs. per pair.

ELECTRICAL DATA ^{1,2}

	Zero Zone ChillBrite™ 4 LED Lighting, Zero Zone CoolView™ Doors, SSC Fan Motors w/ Cond Evap System ⁶			
MOCP (amps) ³	25	25	40	40
MCA (amps)	20.1	21.8	28.5	32.2

ENERGY DATA

Daily Energy Use (kWh)	23.9	35.4	44.7	55.5
Rejected Heat (Btuh) ⁴	3,394	5,037	6,348	7,885

R-404A CHARGE

R-404A Charge (lbs.) ⁵	6.2	6.4	8.4	9.4
-----------------------------------	-----	-----	-----	-----

REFRIGERATION

Zero Zone Condensing Unit #	69-9679	69-9679	69-9681	69-9681
Crated Weight (lbs.)	150	150	180	180

ELECTRICAL DATA ^{1,2}

	Zero Zone ChillBrite™ 4 LED Lighting, Zero Zone CoolView™ Doors, SSC Fan Motors w/o Cond Evap System ⁶			
MOCP (amps) ³	20	20	35	35
MCA (amps)	14.9	15.6	23.3	26.0

ENERGY DATA

Daily Energy Use (kWh)	23.5	34.8	43.8	54.5
Rejected Heat (Btuh) ⁴	3,336	4,951	6,234	7,742

R-404A CHARGE

R-404A Charge (lbs.) ⁵	6.2	6.4	8.4	9.4
-----------------------------------	-----	-----	-----	-----

REFRIGERATION

Zero Zone Condensing Unit #	69-9679	69-9679	69-9681	69-9681
Crated Weight (lbs.)	150	150	180	180

Notes:

- 208V 4-wire service; 115/208V-1PH-60HZ; red & black power, white neutral, green ground. Buck/boost transformer available for low voltage conditions.
- Main service disconnect is not provided.
- MOCP = Maximum over-current protection.
- Adequate ventilation must be provided to dissipate rejected heat from the top of the unit for proper performance. Clearance of less than 30" above the top of the shroud to the ceiling requires special design considerations. See Zero Zone Hybrid™ Installation & Operation Manual for specific details.
- Refrigerant charge includes combined condensing unit and case charges.
- See separate reach-in case spec sheets for additional details: RVLC30.

Factory-Installed Hybrid™ Features:

- Refrigeration piping with quick-connect couplings and refrigerant charge.
- Pre-wired and labeled for easy connection.
- Electronic control includes: time clock, temperature and defrost control, visual and audible temperature alarm, and network communication capability.

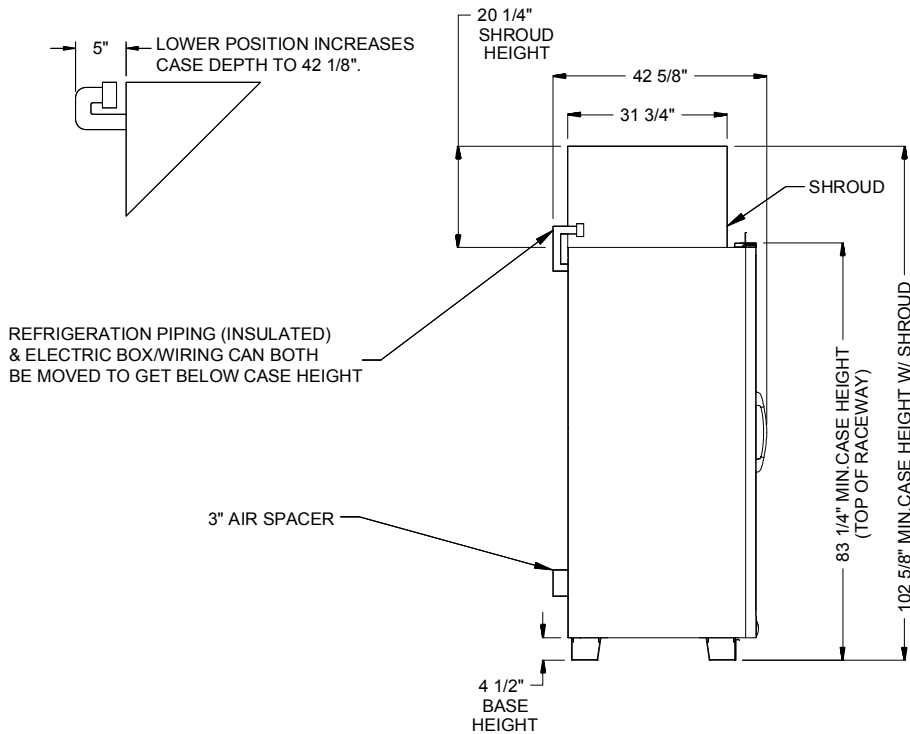
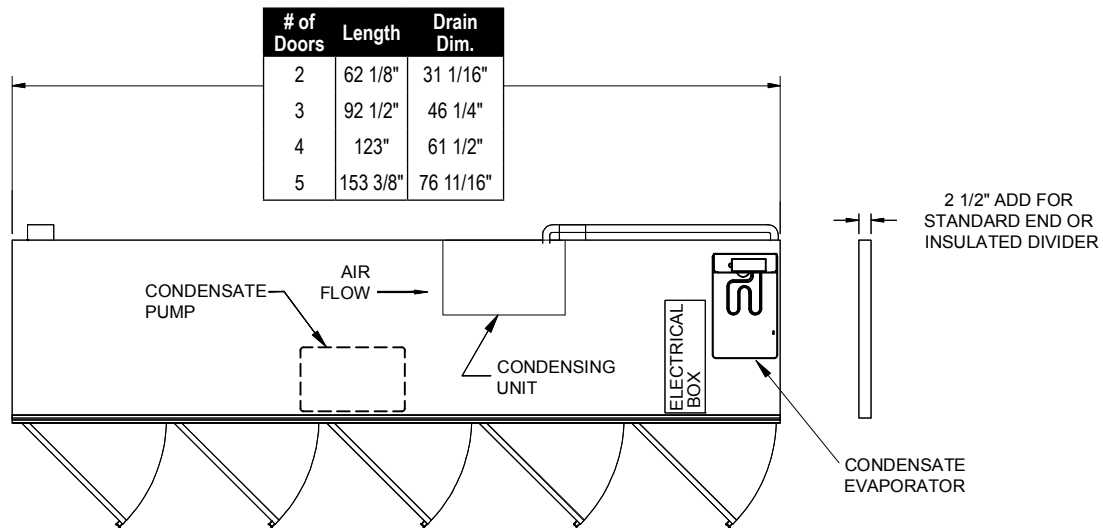
Field-Installed Hybrid™ Features:

- 20 1/4" tall aluminum shroud (front and sides standard, rear optional). Consult factory for other options.
- Condensing unit with quick-connect threaded couplings.
- Condensate collection and removal system: collection pan, pump, float switch, condensate dissipation pan with heater element, and connecting tubing.



Crystal™ Merchandiser RVLC30 Hybrid™ Specs

Low Temp Hybrid Reach-Ins with 30" x 74" Doors



- Door size: 30" x 74".
- All dimensions are nominal.
- Peg, gravity-feed, and other merchandising options available.
- 2 1/2" End Panels are available.
- Optional base configurations are available to fit case through doorways as low as 80". Consult the factory for details.

8/22/17

Specifications are subject to change without notice.
Case designed to operate in an ambient temperature of 75°F and relative humidity of 55% or lower.



Zero Zone, Inc. | 110 N Oakridge Drive | North Prairie, WI 53153-9792
Toll Free: 800-247-4496 | Fax: 262-392-6450
www.zero-zone.com

© 2017 Zero Zone, Inc.

